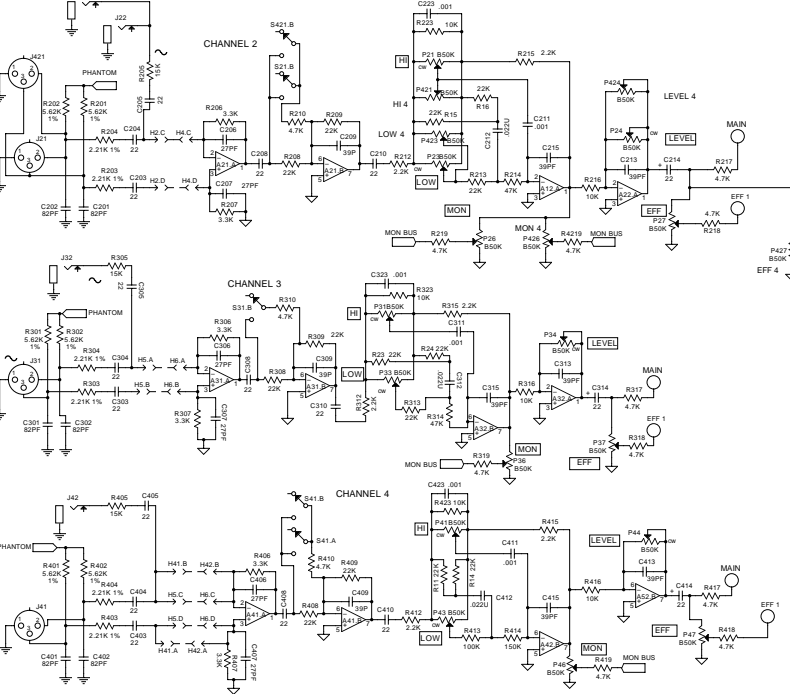


CARVIN
 12340 World Trade Drive
 San Diego, CA 92128
 (609) 487-1600
 FAX 521-6032

PA620 / PA410
 SYSTEM MASTER

DRAWN BY: E. PETERSEN DATE: 26SEP00
 APPROVED: E. PETERSEN DATE: 26SEP00
 PCB NO: 30-62004 REV: C
 ASSY: 80-62004 REV: C
 MD: 80-42004 REV: C
 REVISED BY: E. PETERSEN DATE: 23JAN01



1. ALL GROUND ARE Ⓢ EXCEPT AS NOTED.
 2. ALL DIODES ARE TYPE 1N4003 EXCEPT AS NOTED.
 3. ALL CAPACITORS IN MICROFARADS, EXCEPT AS NOTED.
 4. ALL RESISTORS IN OHMS.
 5. A1 IS TYPE 5532 OP AMP.
- NOTES: UNLESS OTHERWISE SPECIFIED

